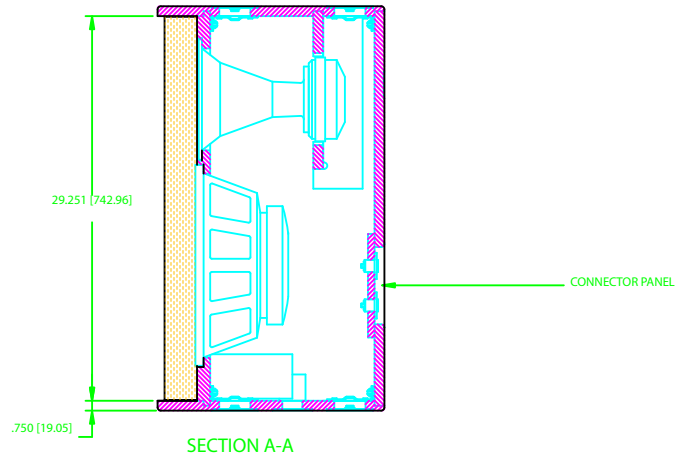
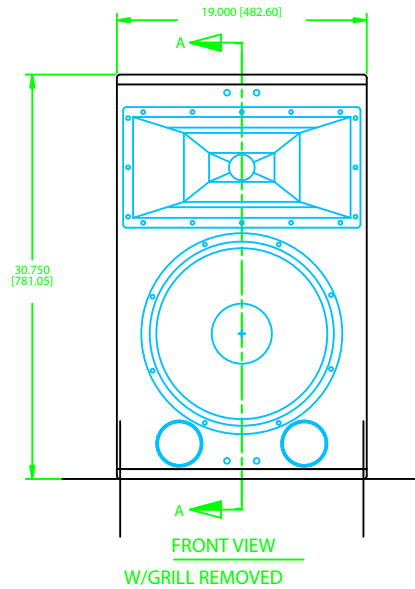
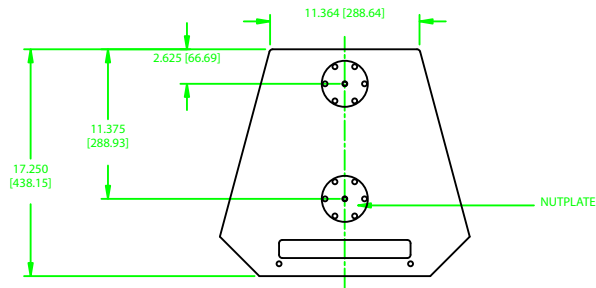


# AE-8 LOUDSPEAKER



NOTE: DIMENSIONS ARE IN INCHES & [MILLIMETERS]

|   |                        |            |                    |             |                  |
|---|------------------------|------------|--------------------|-------------|------------------|
| <small>INFORMATION CONTAINED<br/>IN THIS DOCUMENT IS<br/>THE SOLE PROPERTY<br/>OF APOGEE SOUND<br/>INTERNATIONAL, LLC.<br/>REPRODUCTION OF ALL<br/>OR ANY PART OF THIS<br/>DOCUMENT WITHOUT<br/>WRITTEN CONSENT<br/>FROM APOGEE<br/>SOUND INTERNATIONAL,<br/>LLC IS PROHIBITED.</small> | <b>NOT TO SCALE</b>    |            |                    |             |                  |
|   | SCALE: 1/4             | DRAWN: WWE | 8/30/99            |             |                  |
|   | PRODUCT NUMBER: 100-88 | SIZE: D    | DRAWING NO.: ZAE-8 | REVISION: A | AE-8 LOUDSPEAKER |
|   |                        |            |                    |             |                  |