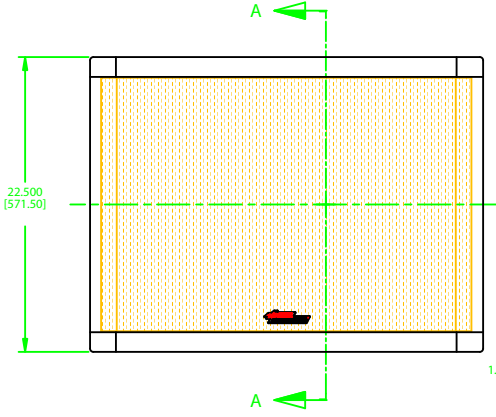
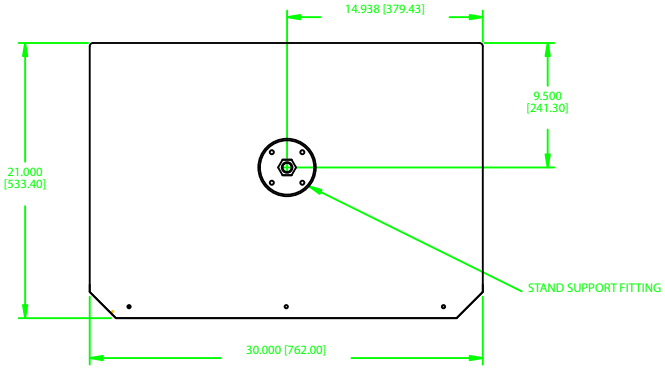
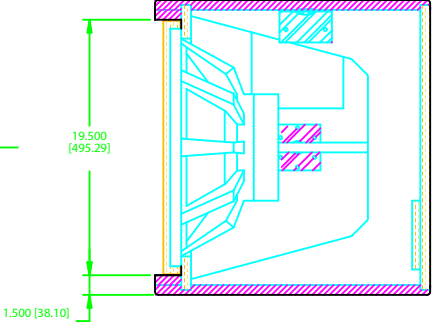


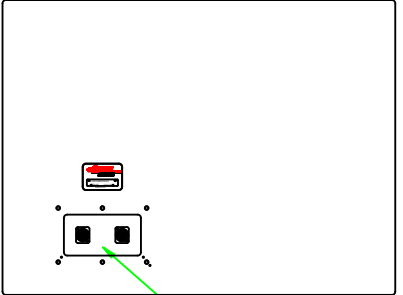
AE-SB SUBWOOFER



FRONT VIEW



SECTION A-A



CONNECTOR PANEL

NOTE: DIMENSIONS ARE IN INCHES & [MILLIMETERS]

INFORMATION CONTAINED
IN THIS DOCUMENT IS
THE SOLE PROPERTY
OF APOGEE SOUND
INTERNATIONAL, LLC.
REPRODUCTION OF ALL
OR ANY PART OF THIS
DOCUMENT WITHOUT
WRITTEN CONSENT
FROM APOGEE
SOUND INTERNATIONAL
LLC IS PROHIBITED.

NOT TO SCALE			
SCALE	1/4	DRAWN	WWE
		REVISED	9/29/99
PRODUCT NUMBER:	100-8200	SIZE	D
		DRAWING NO.	ZSB

APOGEE
SOUND INTERNATIONAL, LLC

REVISION	A	AE-SB SUBWOOFER
----------	---	-----------------