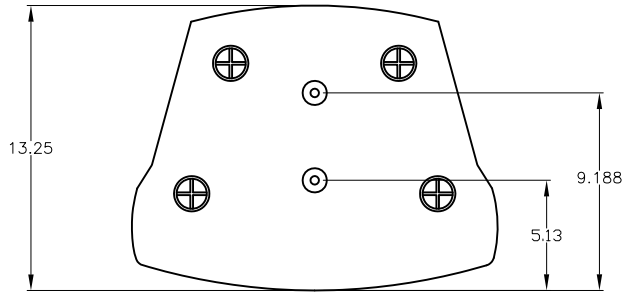
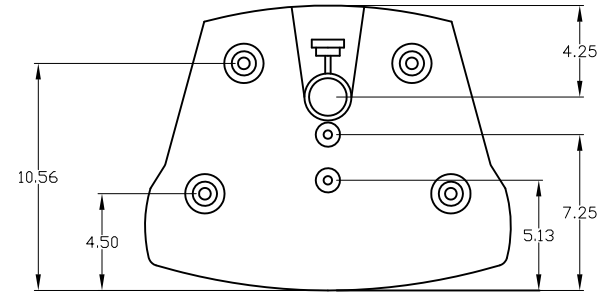


AMT-12 EXTERNAL DIMENSIONS

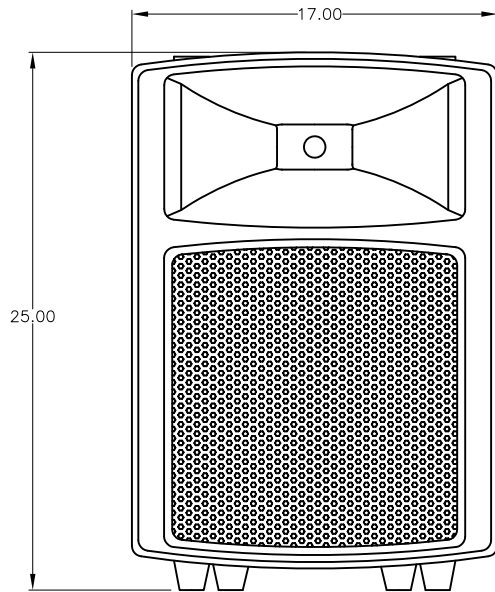
TOP VIEW



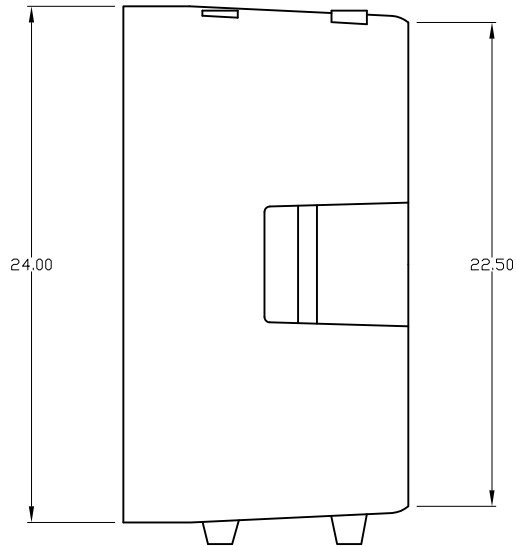
BOTTOM VIEW



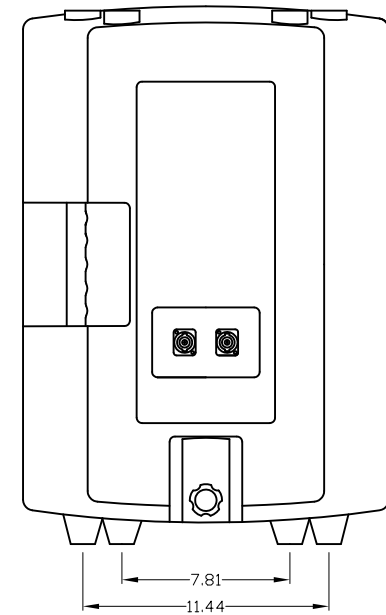
FRONT VIEW



RIGHT SIDE VIEW



REAR VIEW



Specifications and dimensions subject to change without notice.

| | | | |
|----------------------|-------------|-------------|---|
| DECIMALS ± .010 | APPROVALS | DATE | AMT-12 |
| ANGLES ± 1 DEG | DRAWN | | |
| MATERIAL | REVISED | | SPRO INTERNATIONAL, LLC 23 SPYRIS STREET, DANIEL, NJ 07444 PHONE: 908-934-2500 FAX: 908-934-2638 |
| | PART NUMBER | | AMT-12 |
| FINISH | 108-1200 | | DRAWING NO. ZAMT12 |
| DO NOT SCALE DRAWING | SCALE: NTS | REVISION: A | SHEET 1 OF 1 |