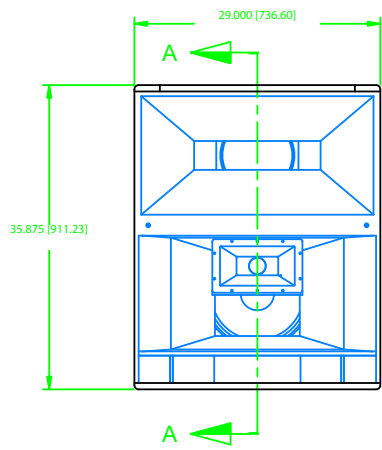
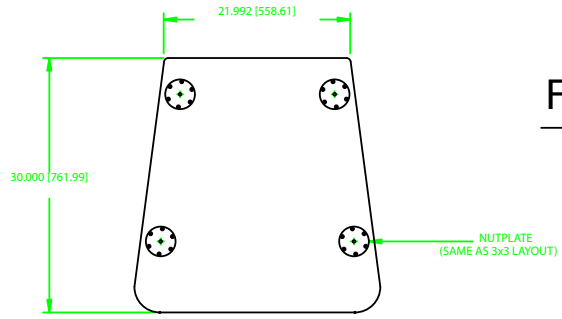
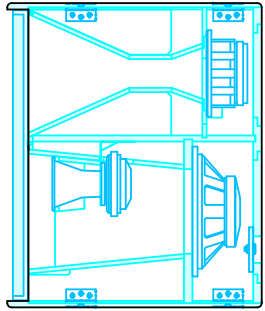


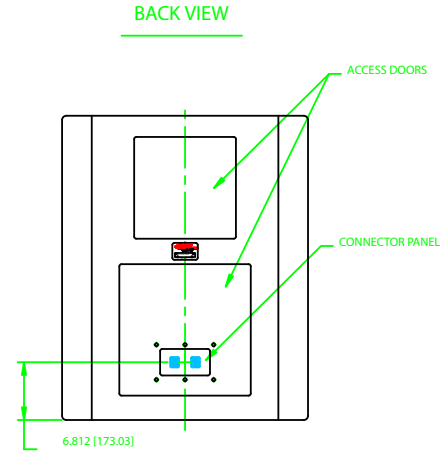
# FH-4 LOUDSPEAKER



FRONT VIEW  
W/O GRILL



SECTION A-A



NOTE: DIMENSIONS ARE IN INCHES & [MILLIMETERS]

<small>INFORMATION CONTAINED IN THIS DOCUMENT IS THE SOLE PROPERTY OF APOGEE SOUND INTERNATIONAL, LLC. REPRODUCTION OF ALL OR ANY PART OF THIS DOCUMENT WITHOUT WRITTEN CONSENT FROM APOGEE SOUND INTERNATIONAL, LLC IS PROHIBITED.</small>	<b>NOT TO SCALE</b>				
	SCALE: 1/6	DRAWN: WVE	3/20/00		
	PRODUCT NUMBER: 101-4000	REVISION: D	DRAWING NO. ZFH-4	REVISION: A	FH-4 LOUDSPEAKER