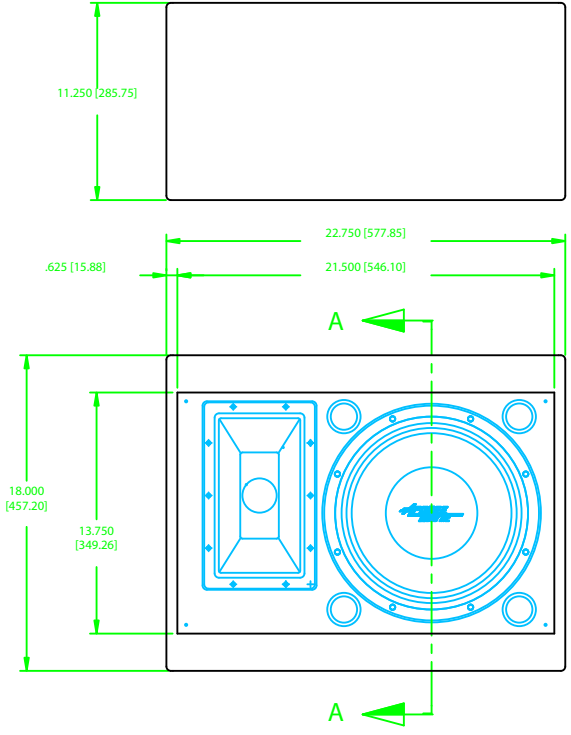
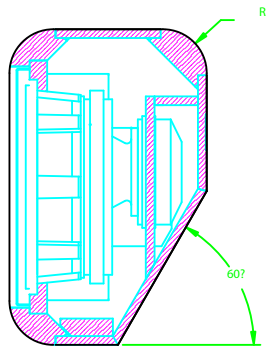


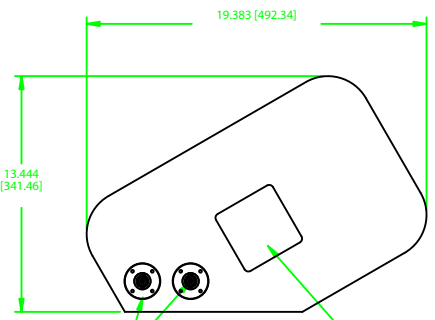
FS-2 FLOOR MONITOR



FRONT VIEW
W/GRILL REMOVED



SECTION A-A



CONNECTORS (THIS SIDE ONLY)
HANDLE

NOTE: DIMENSIONS ARE IN INCHES & [MILLIMETERS]

<small>INFORMATION CONTAINED IN THIS DOCUMENT IS THE SOLE PROPERTY OF APOGEE SOUND INTERNATIONAL, LLC. REPRODUCTION OF ALL OR ANY PART OF THIS DOCUMENT WITHOUT WRITTEN CONSENT FROM APOGEE SOUND INTERNATIONAL, LLC IS PROHIBITED.</small>	NOT TO SCALE				
	SCALE: 1/3	DRAWN: WWE	9/15/99		
	PRODUCT NUMBER: 101-0200	SIZE: D	DRAWING NO.: ZFS-2	REVISION: A	FS-2 MONITOR