



# AE-4M

## STAGE MONITOR SYSTEM

### DESCRIPTION:

The cost-effective AE-4M stage monitor offers high-power output and exceptionally clean sound without bi-amplification, in a wedge-style design.

### DRIVER COMPLEMENT:

**LOW FREQUENCY:** One Apogee 12" (305mm) neodymium magnet cone-type driver is treated with a waterproofing compound, providing resistance to moisture, and enabling long-term stability of cone resonance and cone mass parameters

**HIGH FREQUENCY:** One Apogee 1" (25mm) horn-loaded compression driver is treated with Ferrofluid® for greater power handling capability, lower distortion, and control of short-term impedance rise

### INPUT CONNECTORS:

Neutrik™ NL4MP Speakon™ connectors standard; Cannon EP series and gas-tight barrier strips optional

### COMPATIBLE PROCESSORS:

DLC24 Digital Controller

### HANDLES:

Two handles designed as an integral part of enclosure (no moving parts)

### GRILLE:

Powder-coated, diamond-punched steel with acoustic foam covering

### TRIM:

Protective steel skids on bottom edges; powder-coated for durability

### RIGGING HARDWARE:

Two 12-gauge steel nutplates, mounted one on either side, recessed so as to be nominally flush; accepts 3/8"-16 thread (10mm nutplate optional); nutplates are backed with 12-gauge steel internal brackets

### FINISH:

Textured high strength black epoxy paint; other colors optional

### ENCLOSURE TYPE:

Wedge style, optimally-vented bass

### CABINET CONSTRUCTION:

Multi-ply birch with stainless steel fasteners

### ENGINEERING DATA:

#### FORMAT:

Single-amped/Two-way/Electronically-coupled

#### DISPERSION:

H: 90° x V: 45°

#### FREQUENCY RESPONSE (1M ON AXIS):

60 Hz to 16.5 kHz ± 3 dB

#### MAX. SPL (@1M):

125 dB cont./131 dB peak

#### PTML (PEAK TRANSIENT MECHANICAL LIMIT):

140 dB

#### SENSITIVITY (1W @ 1M):

101.5 dB/200 Hz to 4 kHz

#### NOMINAL IMPEDANCE:

8 ohms

#### MAX. POWER HANDLING:

200W cont./800W peak

#### DIMENSIONS:

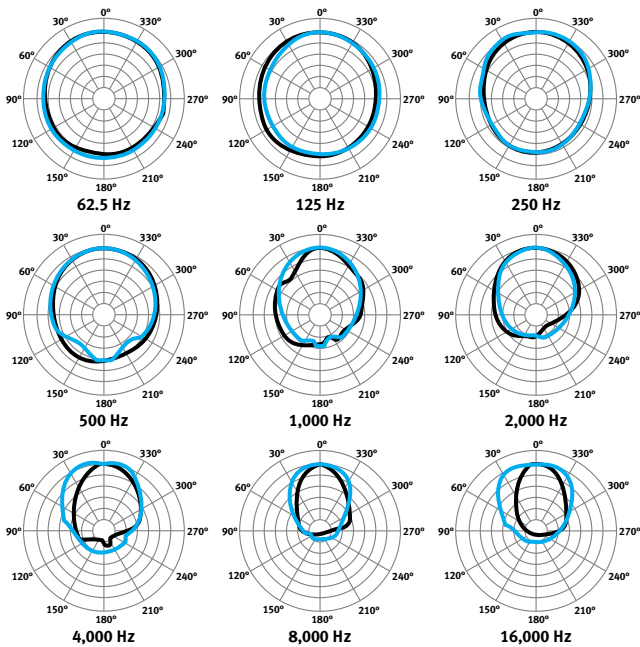
14" (356mm) W x 20.45" (520mm) H x  
27.4" (696mm) D

#### WEIGHT:

54 lb. (24.5 kg)

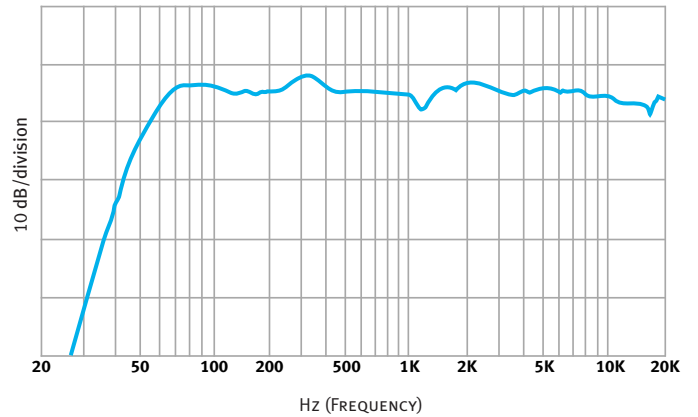
**APOGEE**  
SOUND INTERNATIONAL, LLC

## POLAR MEASUREMENTS AE-4M (6 dB/division, normalized)



**HORIZONTAL** — All polar measurements obtained in a free-field environment at 10° increments.  
**VERTICAL** —

## FREQUENCY RESPONSE AE-4M (with controller)



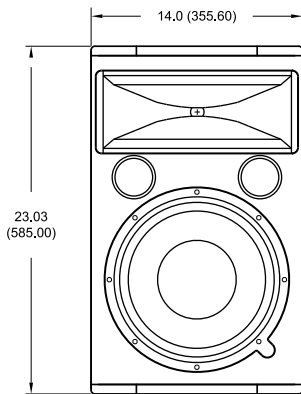
Measured in a free-field anechoic environment using a swept one-third octave input.

### PROCESSOR NOTES:

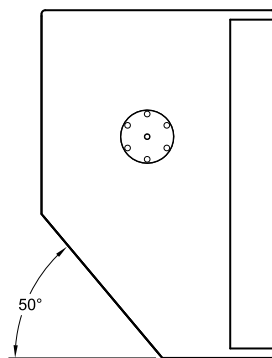
The DLC24 Digital Loudspeaker Controller is a digital engine with an analog surface. It combines the most advanced technology available with intuitive interfaces to provide the key elements that ensure optimal loudspeaker system performance and management in a variety of live sound and fixed installation applications.

The controller provides factory-set equalization curves to smooth the response, protective limiting, and active crossovers (for bi-amplified models and subwoofers).

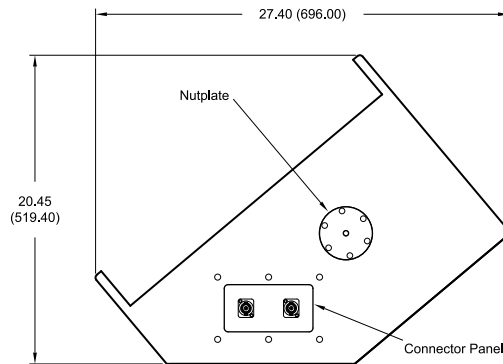
## DIMENSIONAL DRAWINGS AE-4M (dimensions in inches and millimeters)



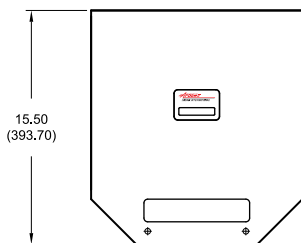
FRONT VIEW  
(WITHOUT GRILLE)



LEFT SIDE VIEW  
(WITHOUT GRILLE)



RIGHT SIDE VIEW  
(WITHOUT GRILLE)



TOP VIEW



www.apogee-sound.com