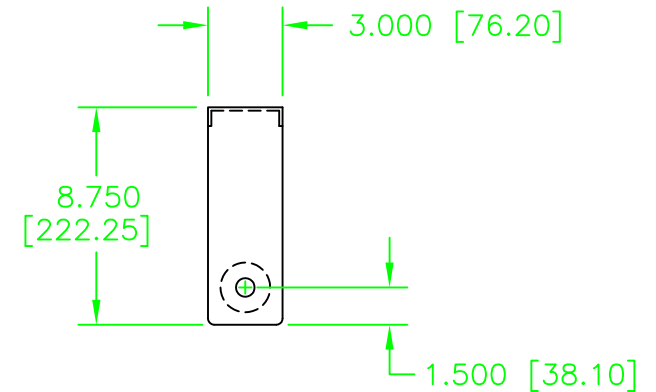
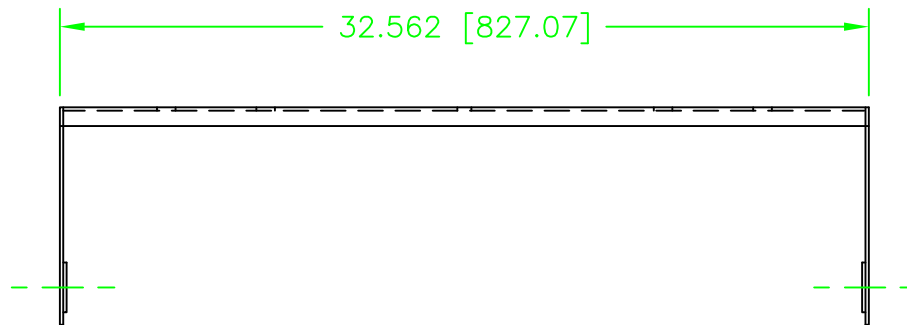


# AE-2s2 YOKE

FOR USE WITH STAND FITTING  
(MOUNTING HARDWARE NOT SHOWN)

.562 [14.28] DIA FOR CLAMP  
(ORDER SEPARATE, P/N: 26-0012)

MOUNTING HOLES FOR STAND FITTING  
(ORDER SEPARATE, P/N: 140-05)



GROSS WEIGHT: 6 LBS.

NOTE: DIMENSIONS ARE IN INCHES & [MILLIMETERS]

INFORMATION CONTAINED IN THIS DOCUMENT IS THE SOLE PROPERTY OF APOGEE SOUND INC. REPRODUCTION OF ALL OR ANY PART OF THIS DOCUMENT WITHOUT WRITTEN PERMISSION FROM APOGEE SOUND INC. IS PROHIBITED.

NOT TO SCALE			
DRAWN	JOHN 4/20/94		
CHECKED	4/22/94	<b>AE-2s2 YOKE FOR USE WITH STAND FITTING</b>	
PRODUCT NUMBER 140-02		SIZE A	DRAWING NO. Z0202
		SCALE 1/8	REVISION A